

MIAMI-DADE COUNTY  
BUILDING CODE COMPLIANCE OFFICE (BCCO)  
PRODUCT CONTROL DIVISION  
NOTICE OF ACCEPTANCE (NOA)  
PGT Industries  
1070 Technology Drive  
Nokomis, FL 34275

MIAMI-DADE COUNTY, FL  
METRO DADE FLAGLER BUILD  
140 WEST FLAGLER STREET, SUIT 313  
MIAMI, FLORIDA 33135  
(305) 378-9061 FAX (305) 377-0000  
www.buildingscode.com

**SCOPE:**  
This NOA is being issued under the applicable rules and regulations governing the use of construction materials. The documentation submitted has been reviewed by Miami-Dade County Product Control Division and accepted by the Board of Rules and Appeals (BORA) to be used in Miami-Dade County and other areas where allowed by the Authority Having Jurisdiction (AHJ).  
This NOA shall not be valid after the expiration date stated below. The Miami-Dade County Product Control Division (in Miami-Dade County) and/or the AHJ (in areas other than Miami-Dade County) reserve the right to have this product or material tested for quality assurance purposes. If this product or material fails to perform in the accepted manner, the manufacturer will incur the expense of such testing and the AHJ immediately revoke, modify, or suspend the use of such product or material within their jurisdiction. It reserves the right to revoke this acceptance, if it is determined by Miami-Dade County Product Control Division that this product or material fails to meet the requirements of the applicable building code. This product is approved as described herein, and has been designed to comply with the Florida Building Code, including High Velocity Hurricane Zone of the Florida Building Code.

**DESCRIPTION:** Series SH-700 Aluminum Single Hung Window - L.M.I.  
**APPROVAL DOCUMENT:** Drawing No. 4040-20, titled "Alum. Single Hung Window, Impact", sheet through 11 of 11, dated 9/1/05, with revision dated 1/24/06, prepared by PGT Industries, signed and sealed by Robert L. Clark, P.E., bearing the Miami-Dade County Product Control Approval stamp with the Notice of Acceptance number and approval date by the Miami-Dade County Product Control Division.

**MISSILE IMPACT RATING:** Large and Small Missile Impact Resistant  
**LABELING:** Each unit shall bear a permanent label with the manufacturer's name or logo, city, state and following statement: "Miami-Dade County Product Control Approved", unless otherwise noted herein.  
**RENEWAL:** This NOA shall be considered after a renewal application has been filed and there has been no change in the applicable building code negatively affecting the performance of this product.

**TERMINATION:** This NOA will occur after the expiration date or if there has been a revision or change in the materials, use, and/or manufacture of the product or process. Misuse of this NOA as an endorsement any product, for sales, advertising or any other purposes shall automatically terminate this NOA. Failure to comply with any section of this NOA shall be cause for termination and removal of NOA.

**ADVERTISING:** The NOA number preceded by the words Miami-Dade County, Florida, and follow by the expiration date may be displayed in advertising literature. If any portion of the NOA is displayed, it shall be done in its entirety.

**INSPECTION:** A copy of this entire NOA shall be provided to the user by the manufacturer or its distributors and shall be available for inspection at the job site at the request of the Building Official. This NOA consists of this page 1 and evidence pages E-1 and E-2, as well as approval document mentions above.

The submitted documentation was reviewed by Manuel Perez, P.E.  
NOA No 05-1018  
Expiration Date: March 23, 2011  
Approval Date: March 23, 2011  
Pg

PGT Industries  
NOTICE OF ACCEPTANCE: EVIDENCE SUBMITTED

- A. DRAWINGS**
- Manufacturer's die drawings and sections.  
Drawing No 4040-20, Sheets 1 through 11 of 11, titled "Alum. Single Hung Window, Impact", dated 9/1/05, with revision A dated 1/24/06, prepared by PGT Industries, signed and sealed by Robert L. Clark, P.E.
- B. TESTS**
- Test reports on 1) Large Missile Impact Test per FBC, TAS 201-94  
2) Cyclic Wind Pressure Loading per FBC, TAS 203-94  
along with marked-up drawings and installation diagram of Aluminum Single Hung Window, Impact, prepared by Fenestration Testing Laboratory, Test Report No. FTL-4645, dated 08/11/05, signed and sealed by Edmundo Largaespada, P.E.
  - Test reports on 1) Air Infiltration Test, per FBC, TAS 202-94  
2) Uniform Static Air Pressure Test, Loading per FBC TAS 202-94  
3) Water Resistance Test, per FBC, TAS 202-94  
4) Small Missile Impact Test per FBC, TAS 201-94  
5) Cyclic Wind Pressure Loading per FBC, TAS 203-94  
6) Forced Entry Test, per FBC 3603.2 (b) and TAS 202-94  
along with marked-up drawings and installation diagram of an Aluminum Single Hung Window, Impact, prepared by Fenestration Testing Laboratory, Inc., Test Report No. FTL-4647, dated 08/11/05, signed and sealed by Edmundo Largaespada, P.E.
  - Test reports on 1) Uniform Static Air Pressure Test, Loading per FBC, TAS 202-94  
2) Large Missile Impact Test per FBC, TAS 201-94  
3) Cyclic Wind Pressure Loading per FBC, TAS 203-94  
along with marked-up drawings and installation diagram of an Aluminum Single Hung Window, Impact, prepared by Fenestration Testing Laboratory, Test Report No. FTL-4648, dated 08/11/05, signed and sealed by Edmundo Largaespada, P.E.
  - Test reports on 1) Air Infiltration Test, per FBC, TAS 202-94  
2) Uniform Static Air Pressure Test, Loading per FBC TAS 202-94  
3) Water Resistance Test, per FBC, TAS 202-94  
4) Small Missile Impact Test per FBC, TAS 201-94  
5) Cyclic Wind Pressure Loading per FBC, TAS 203-94  
6) Forced Entry Test, per FBC 3603.2 (b) and TAS 202-94  
along with marked-up drawings and installation diagram of an Aluminum Single Hung Window, Impact, prepared by Fenestration Testing Laboratory, Test Report No. FTL-4649, dated 08/11/05, signed and sealed by Edmundo Largaespada, P.E.

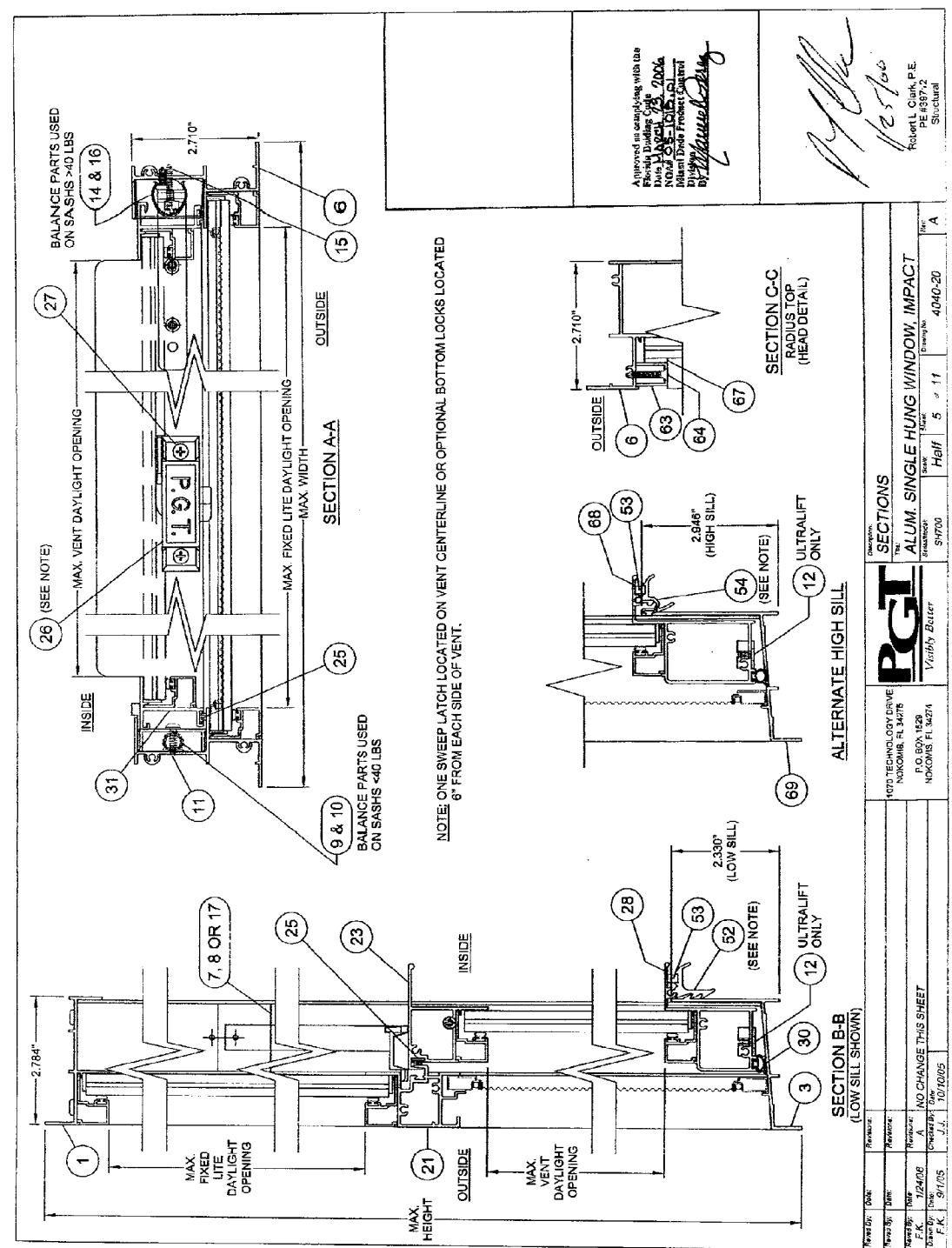
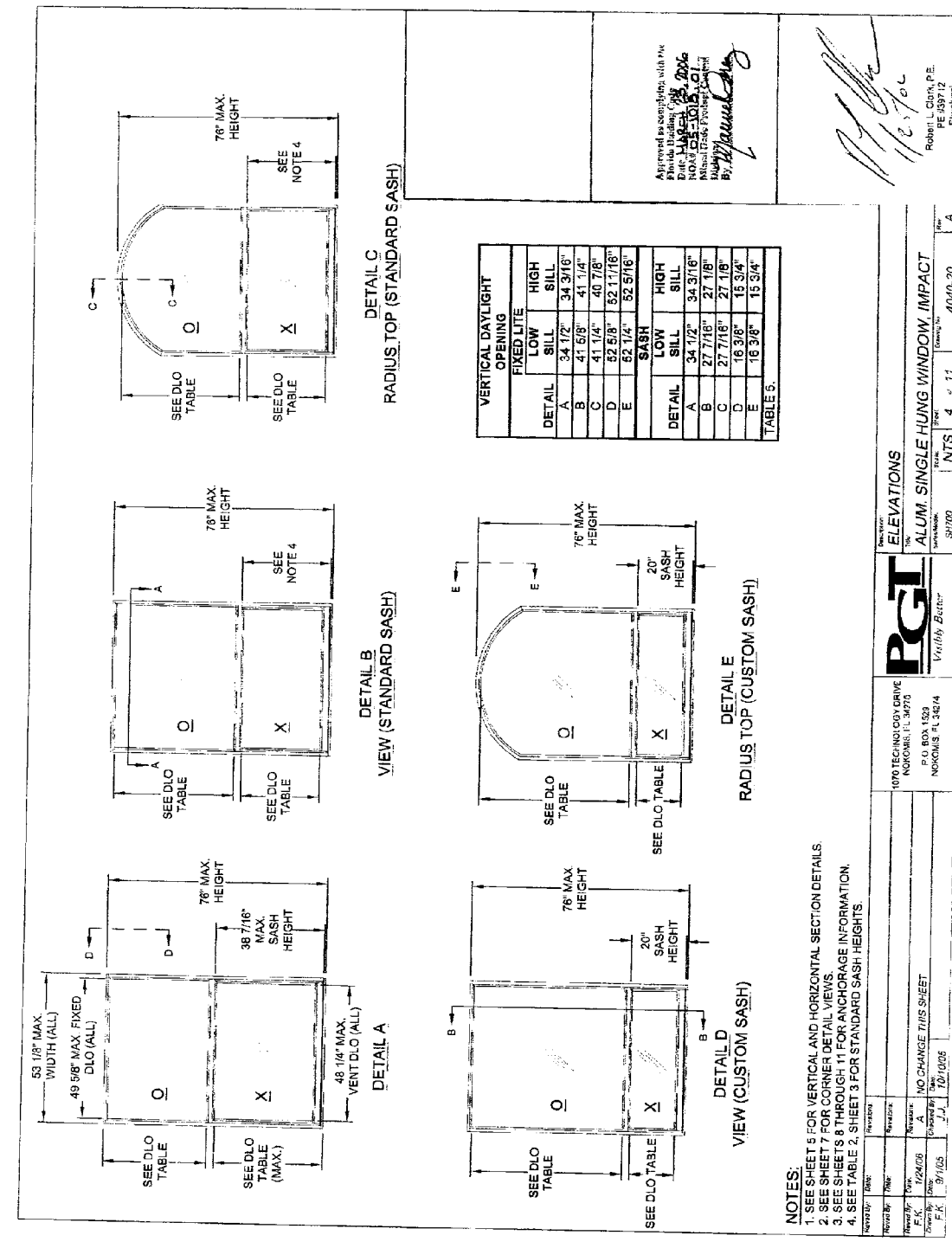
Manuel Perez, P.E.  
Product Control Examiner  
NOA No 05-1018  
Expiration Date: March 23, 2011  
Approval Date: March 23, 2006

PGT Industries  
NOTICE OF ACCEPTANCE: EVIDENCE SUBMITTED

- Window, Impact, prepared by Fenestration Testing Laboratory, Inc., Test Report No. FTL-4650, dated 08/11/05, signed and sealed by Edmundo Largaespada, P.E.  
Test reports on 1) Large Missile Impact Test per FBC, TAS 201-94  
2) Cyclic Wind Pressure Loading per FBC, TAS 203-94  
along with marked-up drawings and installation diagram of Aluminum Single Hung Window, Impact, prepared by Fenestration Testing Laboratory, Test Report No. FTL-4649, dated 08/11/05, signed and sealed by Edmundo Largaespada, P.E.
  - Test reports on 1) Uniform Static Air Pressure Test, Loading per FBC, TAS 202-94  
2) Large Missile Impact Test per FBC, TAS 201-94  
3) Cyclic Wind Pressure Loading per FBC, TAS 203-94  
along with marked-up drawings and installation diagram of an Aluminum Single Hung Window, Impact, prepared by Fenestration Testing Laboratory, Inc., Test Report No. FTL-4646, dated 08/11/05, signed and sealed by Edmundo Largaespada, P.E.
  - Test reports on 1) Large Missile Impact Test per FBC, TAS 201-94  
2) Cyclic Wind Pressure Loading per FBC, TAS 203-94  
along with marked-up drawings and installation diagram of Aluminum Single Hung Window, Impact, prepared by Fenestration Testing Laboratory, Test Report No. FTL-4723, dated 10/05/05, signed and sealed by Edmundo Largaespada, P.E.
- C. CALCULATIONS**
- Anchor Calculations and structural analysis, complying with FBC-2004, prepared by PGT Engineering, dated 10/12/05, signed and sealed by Robert L. Clark, P.E. Complies with ASTM E1300-98/02
- D. QUALITY ASSURANCE**
- Miami Dade Building Code Compliance Office (BCCO).
- E. MATERIAL CERTIFICATIONS**
- Notice of Acceptance No. 05-1208.02 issued to E.I. DuPont DeNemours for "DuPont Butacite® PVB" dated 10/05/06, expiring on 12/31/10.
  - Notice of Acceptance No. 03-0827.08 issued to Solatia Inc. for their "Solatia Interlayer" dated 03/04/04, expiring on 03/04/09.
- F. STATEMENTS**
- Statement letter of conformance and no financial interest, dated 10/12/05, signed and sealed by Robert L. Clark, P.E.
  - Statement letter of code compliance, dated 10/12/05, signed and sealed by Robert L. Clark, P.E.
- G. OTHER**
- Letter from the consultant, dated December 15, 2005, stating that the product is in compliance with the Florida Building Code (FBC).

Manuel Perez, P.E.  
Product Control Examiner  
NOA No 05-1018  
Expiration Date: March 23, 2011  
Approval Date: March 23, 2006

TABLE 1	TABLE 2	TABLE 3																																																																																																																																							
FTT WINDOWS WITH IRON BALL OPTION	STANDARD VIEW PANE PANELED TOP WINDOW WITH IRON BALL OPTION	CUSTOM VIEW PANELED TOP WINDOW WITH IRON BALL OPTION																																																																																																																																							
<table border="1"> <tr> <th>WIND SPEED (MPH)</th> <th>40"</th> <th>48"</th> <th>56"</th> <th>64"</th> <th>72"</th> <th>80"</th> <th>88"</th> <th>96"</th> </tr> <tr> <th>WIND LOAD (PSF)</th> <td>1.25</td> <td>1.50</td> <td>1.75</td> <td>2.00</td> <td>2.25</td> <td>2.50</td> <td>2.75</td> <td>3.00</td> </tr> <tr> <th>WIND PRESSURE (PSF)</th> <td>1.25</td> <td>1.50</td> <td>1.75</td> <td>2.00</td> <td>2.25</td> <td>2.50</td> <td>2.75</td> <td>3.00</td> </tr> <tr> <th>WIND FORCE (LBS)</th> <td>125</td> <td>150</td> <td>175</td> <td>200</td> <td>225</td> <td>250</td> <td>275</td> <td>300</td> </tr> <tr> <th>WIND FORCE (KIP)</th> <td>0.0125</td> <td>0.0150</td> <td>0.0175</td> <td>0.0200</td> <td>0.0225</td> <td>0.0250</td> <td>0.0275</td> <td>0.0300</td> </tr> </table>	WIND SPEED (MPH)	40"	48"	56"	64"	72"	80"	88"	96"	WIND LOAD (PSF)	1.25	1.50	1.75	2.00	2.25	2.50	2.75	3.00	WIND PRESSURE (PSF)	1.25	1.50	1.75	2.00	2.25	2.50	2.75	3.00	WIND FORCE (LBS)	125	150	175	200	225	250	275	300	WIND FORCE (KIP)	0.0125	0.0150	0.0175	0.0200	0.0225	0.0250	0.0275	0.0300	<table border="1"> <tr> <th>WIND SPEED (MPH)</th> <th>40"</th> <th>48"</th> <th>56"</th> <th>64"</th> <th>72"</th> <th>80"</th> <th>88"</th> <th>96"</th> </tr> <tr> <th>WIND LOAD (PSF)</th> <td>1.25</td> <td>1.50</td> <td>1.75</td> <td>2.00</td> <td>2.25</td> <td>2.50</td> <td>2.75</td> <td>3.00</td> </tr> <tr> <th>WIND PRESSURE (PSF)</th> <td>1.25</td> <td>1.50</td> <td>1.75</td> <td>2.00</td> <td>2.25</td> <td>2.50</td> <td>2.75</td> <td>3.00</td> </tr> <tr> <th>WIND FORCE (LBS)</th> <td>125</td> <td>150</td> <td>175</td> <td>200</td> <td>225</td> <td>250</td> <td>275</td> <td>300</td> </tr> <tr> <th>WIND FORCE (KIP)</th> <td>0.0125</td> <td>0.0150</td> <td>0.0175</td> <td>0.0200</td> <td>0.0225</td> <td>0.0250</td> <td>0.0275</td> <td>0.0300</td> </tr> </table>	WIND SPEED (MPH)	40"	48"	56"	64"	72"	80"	88"	96"	WIND LOAD (PSF)	1.25	1.50	1.75	2.00	2.25	2.50	2.75	3.00	WIND PRESSURE (PSF)	1.25	1.50	1.75	2.00	2.25	2.50	2.75	3.00	WIND FORCE (LBS)	125	150	175	200	225	250	275	300	WIND FORCE (KIP)	0.0125	0.0150	0.0175	0.0200	0.0225	0.0250	0.0275	0.0300	<table border="1"> <tr> <th>WIND SPEED (MPH)</th> <th>40"</th> <th>48"</th> <th>56"</th> <th>64"</th> <th>72"</th> <th>80"</th> <th>88"</th> <th>96"</th> </tr> <tr> <th>WIND LOAD (PSF)</th> <td>1.25</td> <td>1.50</td> <td>1.75</td> <td>2.00</td> <td>2.25</td> <td>2.50</td> <td>2.75</td> <td>3.00</td> </tr> <tr> <th>WIND PRESSURE (PSF)</th> <td>1.25</td> <td>1.50</td> <td>1.75</td> <td>2.00</td> <td>2.25</td> <td>2.50</td> <td>2.75</td> <td>3.00</td> </tr> <tr> <th>WIND FORCE (LBS)</th> <td>125</td> <td>150</td> <td>175</td> <td>200</td> <td>225</td> <td>250</td> <td>275</td> <td>300</td> </tr> <tr> <th>WIND FORCE (KIP)</th> <td>0.0125</td> <td>0.0150</td> <td>0.0175</td> <td>0.0200</td> <td>0.0225</td> <td>0.0250</td> <td>0.0275</td> <td>0.0300</td> </tr> </table>	WIND SPEED (MPH)	40"	48"	56"	64"	72"	80"	88"	96"	WIND LOAD (PSF)	1.25	1.50	1.75	2.00	2.25	2.50	2.75	3.00	WIND PRESSURE (PSF)	1.25	1.50	1.75	2.00	2.25	2.50	2.75	3.00	WIND FORCE (LBS)	125	150	175	200	225	250	275	300	WIND FORCE (KIP)	0.0125	0.0150	0.0175	0.0200	0.0225	0.0250	0.0275	0.0300
WIND SPEED (MPH)	40"	48"	56"	64"	72"	80"	88"	96"																																																																																																																																	
WIND LOAD (PSF)	1.25	1.50	1.75	2.00	2.25	2.50	2.75	3.00																																																																																																																																	
WIND PRESSURE (PSF)	1.25	1.50	1.75	2.00	2.25	2.50	2.75	3.00																																																																																																																																	
WIND FORCE (LBS)	125	150	175	200	225	250	275	300																																																																																																																																	
WIND FORCE (KIP)	0.0125	0.0150	0.0175	0.0200	0.0225	0.0250	0.0275	0.0300																																																																																																																																	
WIND SPEED (MPH)	40"	48"	56"	64"	72"	80"	88"	96"																																																																																																																																	
WIND LOAD (PSF)	1.25	1.50	1.75	2.00	2.25	2.50	2.75	3.00																																																																																																																																	
WIND PRESSURE (PSF)	1.25	1.50	1.75	2.00	2.25	2.50	2.75	3.00																																																																																																																																	
WIND FORCE (LBS)	125	150	175	200	225	250	275	300																																																																																																																																	
WIND FORCE (KIP)	0.0125	0.0150	0.0175	0.0200	0.0225	0.0250	0.0275	0.0300																																																																																																																																	
WIND SPEED (MPH)	40"	48"	56"	64"	72"	80"	88"	96"																																																																																																																																	
WIND LOAD (PSF)	1.25	1.50	1.75	2.00	2.25	2.50	2.75	3.00																																																																																																																																	
WIND PRESSURE (PSF)	1.25	1.50	1.75	2.00	2.25	2.50	2.75	3.00																																																																																																																																	
WIND FORCE (LBS)	125	150	175	200	225	250	275	300																																																																																																																																	
WIND FORCE (KIP)	0.0125	0.0150	0.0175	0.0200	0.0225	0.0250	0.0275	0.0300																																																																																																																																	



ITEM	DESCRIPTION	QUANTITY	UNIT	REMARKS
1	ALUM. WINDOW FRAME	1	EA	
2	GLASS (1/2\"	2	EA	
3	GLASS (1/2\"	2	EA	
4	GLASS (1/2\"	2	EA	
5	GLASS (1/2\"	2	EA	
6	GLASS (1/2\"	2	EA	
7	GLASS (1/2\"	2	EA	
8	GLASS (1/2\"	2	EA	
9	GLASS (1/2\"	2	EA	
10	GLASS (1/2\"	2	EA	
11	GLASS (1/2\"	2	EA	
12	GLASS (1/2\"	2	EA	
13	GLASS (1/2\"	2	EA	
14	GLASS (1/2\"	2	EA	
15	GLASS (1/2\"	2	EA	
16	GLASS (1/2\"	2	EA	
17	GLASS (1/2\"	2	EA	
18	GLASS (1/2\"	2	EA	
19	GLASS (1/2\"	2	EA	
20	GLASS (1/2\"	2	EA	
21	GLASS (1/2\"	2	EA	
22	GLASS (1/2\"	2	EA	
23	GLASS (1/2\"	2	EA	
24	GLASS (1/2\"	2	EA	
25	GLASS (1/2\"	2	EA	
26	GLASS (1/2\"	2	EA	
27	GLASS (1/2\"	2	EA	
28	GLASS (1/2\"	2	EA	
29	GLASS (1/2\"	2	EA	
30	GLASS (1/2\"	2	EA	
31	GLASS (1/2\"	2	EA	
32	GLASS (1/2\"	2	EA	
33	GLASS (1/2\"	2	EA	
34	GLASS (1/2\"	2	EA	
35	GLASS (1/2\"	2	EA	
36	GLASS (1/2\"	2	EA	
37	GLASS (1/2\"	2	EA	
38	GLASS (1/2\"	2	EA	
39	GLASS (1/2\"	2	EA	
40	GLASS (1/2\"	2	EA	
41	GLASS (1/2\"	2	EA	
42	GLASS (1/2\"	2	EA	
43	GLASS (1/2\"	2	EA	
44	GLASS (1/2\"	2	EA	
45	GLASS (1/2\"	2	EA	
46	GLASS (1/2\"	2	EA	
47	GLASS (1/2\"	2	EA	
48	GLASS (1/2\"	2	EA	
49	GLASS (1/2\"	2	EA	
50	GLASS (1/2\"	2	EA	

